

HP Color LaserJet Enterprise 5700, MFP 5800 - Remove and replace the toner cartridges

Replace the toner cartridges if you receive a message on the printer, or if you have print quality problems.

Toner cartridge information

Review details about ordering replacement toner cartridges.

The printer indicates when the toner-cartridge level is low and very low. The actual toner cartridge life remaining can vary. Consider having a replacement cartridge available to install when print quality is no longer acceptable.

Continue printing with the current cartridge until redistributing the toner no longer yields acceptable print quality. To redistribute the toner, remove the toner cartridge from the printer and gently rock the cartridge back and forth end to end. For graphical representation, see the cartridge replacement instructions. Reinsert the toner cartridge into the printer, and then close the cover.

To purchase cartridges or check cartridge compatibility for the printer, go to www.hp.com/go/suresupply. Scroll to the bottom of the page and verify that the country/region is correct.

Table 1 Supplies


Item	Cartridge number	Part number
HP 213A Black Original LaserJet Toner Cartridge	213A	W2130A
HP 213A Cyan Original LaserJet Toner Cartridge	213A	W2131A
HP 213A Yellow Original LaserJet Toner Cartridge	213A	W2132A
HP 213A Magenta Original LaserJet Toner Cartridge	213A	W2133A
HP 213X High Yield Black Original LaserJet Toner Cartridge	213X	W2130X
HP 213X High Yield Cyan Original LaserJet Toner Cartridge	213X	W2131X
HP 213X High Yield Yellow Original LaserJet Toner Cartridge	213X	W2132X
HP 213X High Yield Magenta Original LaserJet Toner Cartridge	213X	W2133X
HP 213Y Extra High Yield Black Original LaserJet Toner Cartridge	213Y	W2130Y
HP 213Y Extra High Yield Cyan Original LaserJet Toner Cartridge	213Y	W2131Y
HP 213Y Extra High Yield Yellow Original LaserJet Toner Cartridge	213Y	W2132Y

Table 1 Supplies (continued)

Item	Cartridge number	Part number
HP 213Y Extra High Yield Magenta Original LaserJet Toner Cartridge	213Y	W2133Y

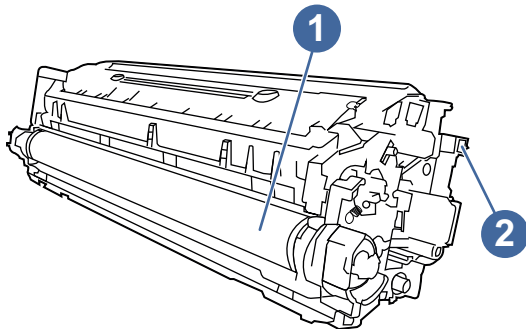
 **NOTE:** High-yield toner cartridges contain more toner than standard cartridges for increased page yield. For more information, go to www.hp.com/go/toneryield.

Do not remove the toner cartridge from its package until it is time to replace it.


 **CAUTION:** To prevent damage to the toner cartridge, do not expose it to light for more than a few minutes. Cover the green imaging drum if the toner cartridge must be removed from the printer for an extended period of time.


The following illustration shows the toner cartridge components.

Figure 1 Toner cartridge components



Number	Description
1	Imaging drum CAUTION: Do not touch the imaging drum. Fingerprints can cause print-quality problems.
2	Memory chip

 **CAUTION:** If toner gets on clothing, wipe it off by using a dry cloth and wash the clothes in cold water. Hot water sets toner into fabric.

 **NOTE:** Information about recycling used toner cartridges is in the toner cartridge box or at www.hp.com/hprecycle.

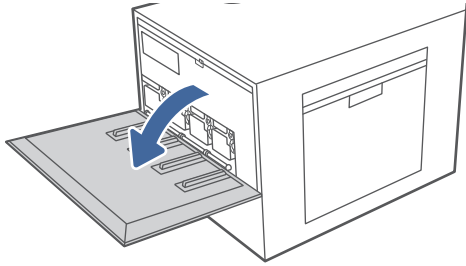
Remove and replace the toner cartridge

Follow these steps to replace the toner cartridge.

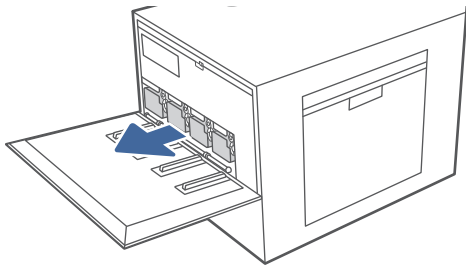


[View a video of how to replace a toner cartridge](#)

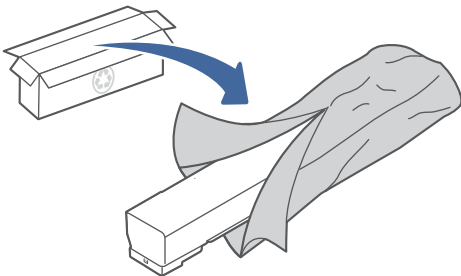
1. Open the front door.



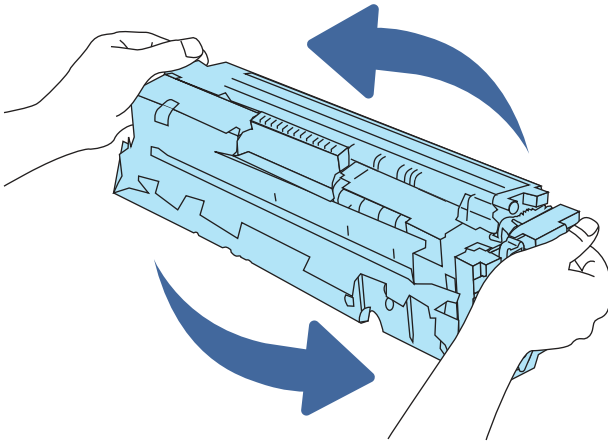
2. Grasp the end of the toner cartridge and pull it straight out of the printer.



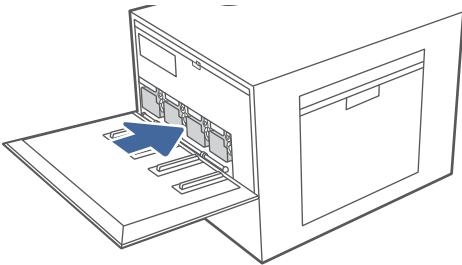
3. Remove the new toner cartridge from its package. Save all packaging for recycling the used toner cartridge.



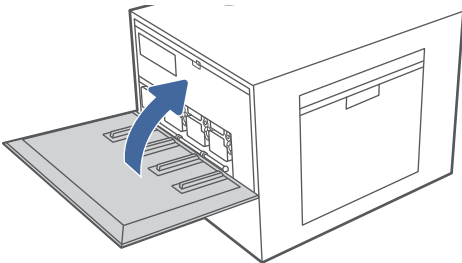
4. Hold both ends of the toner cartridge and rock it back and forth end to end to evenly distribute the toner that is inside.



5. Align the toner cartridge with its slot and insert it into the printer.



6. Close the front door.



7. Pack the used toner cartridge into the box that the new toner cartridge came in. See the enclosed recycling guide for information about recycling.

In the U.S. and Canada, a pre-paid shipping label is included in the box. In other countries/regions, go to www.hp.com/recycle to print a pre-paid shipping label.

Adhere the pre-paid shipping label to the box, and return the used cartridge to HP for recycling.

